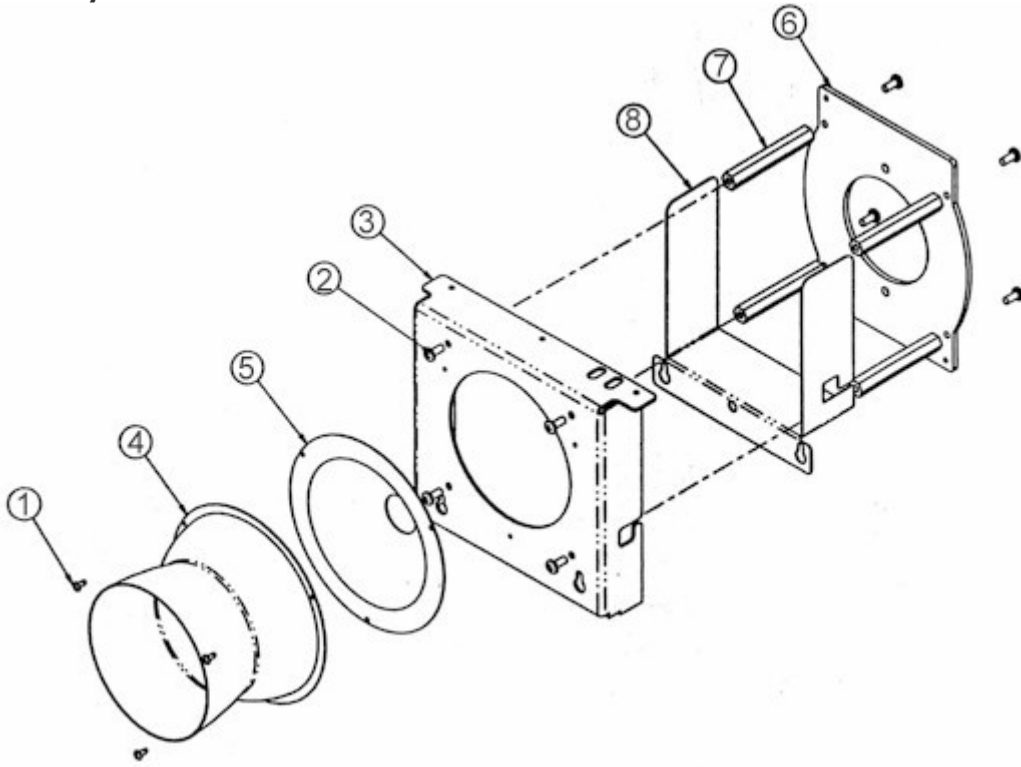


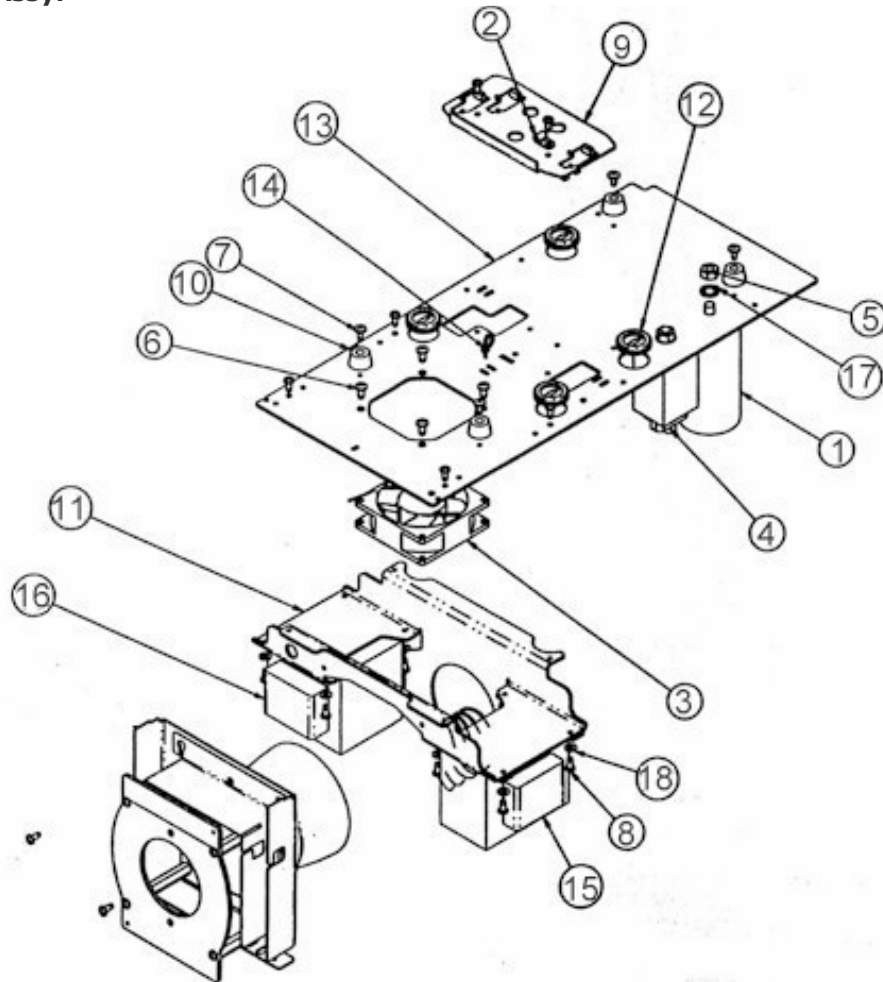
Technobeam

Reflector Assy.



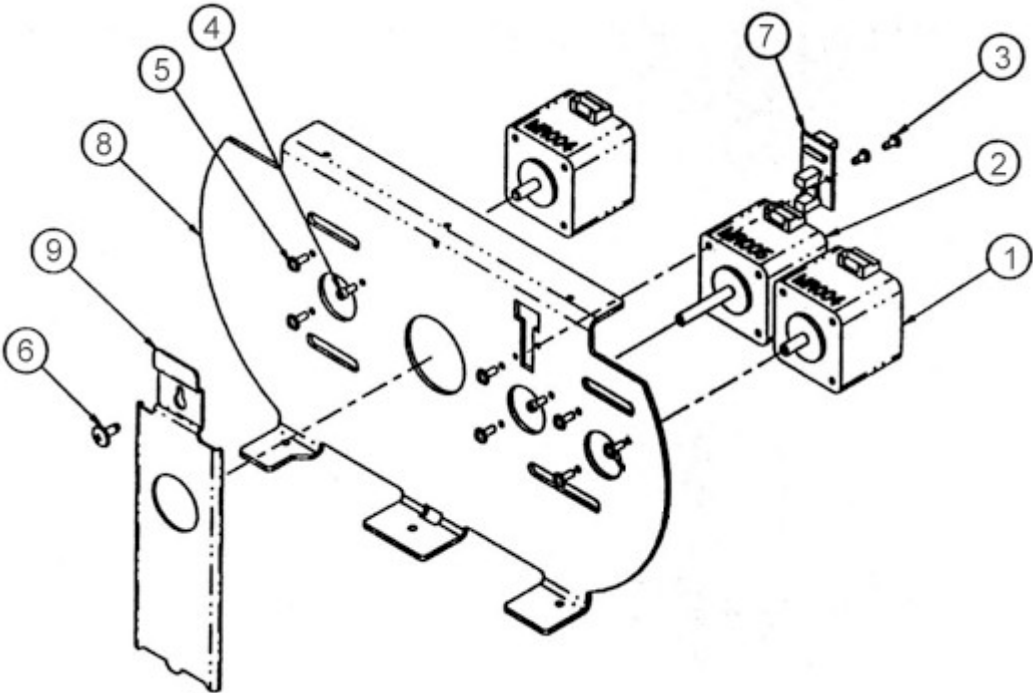
1.	90709129	Screw, Phil Pan #4 x 1/4
2.	90709133	Screw, Phil Pan 8 - 32 x 5/16
3.	99260122	Mount, Reflector
4.	99130012	Front Reflector
5.	99130011	Rear Reflector
6.	99080059	Mount, Lamp Assy.
7.	90702093	Standoff, Hex 8 - 32 x 2 5/8
8.	85000126	Shield, Light Block

Center Plate Assy.



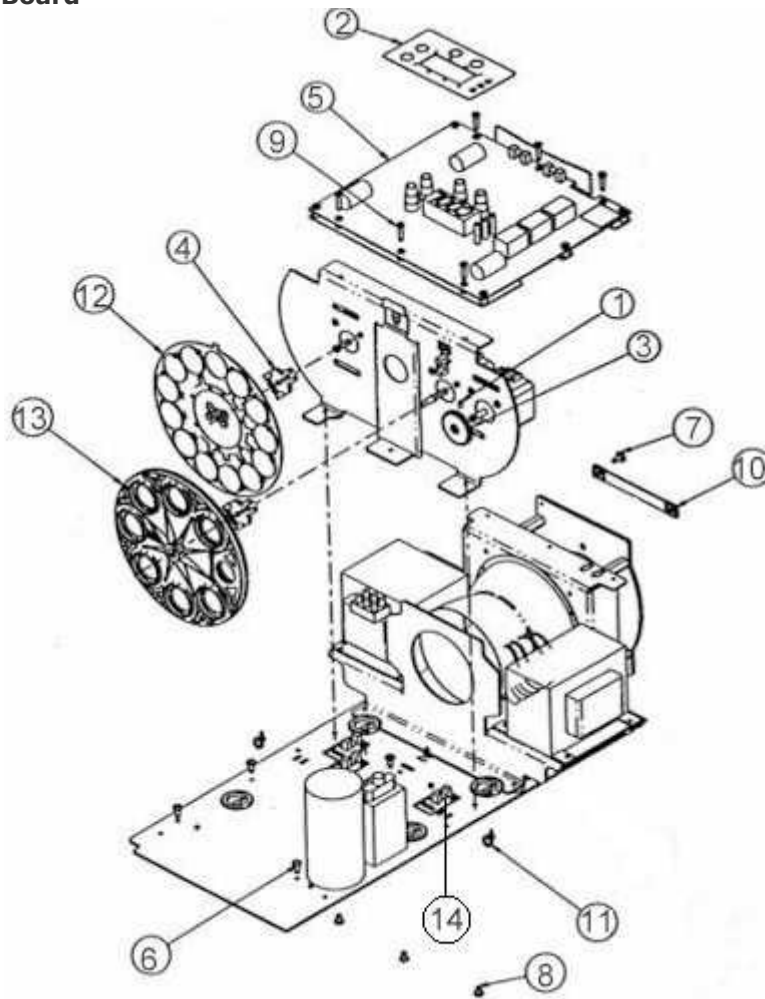
1.	80220005	Capacitor, Power Factor
2.	90410023	Clamp, 3/16 Nylon
3.	80270003	Fan Assy.
4.	80250003	Ignitor
5.	90703007	Hex Nut, 8mm
6.	90709124	Screw, Phil Pan 10 - 14 x 3/8
7.	90709016	Screw, Phil Pan 6 - 19 x 3/8
8.	90709128	Screw, Phil Pan #8 x 3/8
9.	99260239	Bracket, Sensor Iris Style
10.	90410091	Rubber Foot
11.	99080052	Plate, Mounting Transformer/Ballast
12.	90410038	Grommet, Plastic
13.	80071349	Center Plate, Iris Style
14.	99330007	Tie Wrap
15.	80230009	Transformer
16.	80330005	Ballast
17.	90706025	Washer, Lock 5/16
18.	90706009	Washer, Flat #8

Motor Mount Assy.



1.	99270070	Motor, 2V
2.	99270072	Motor, 1V
3.	90709073	Screw, Phil Pan #4 x 1/4
4.	90707036	Socket Cap, 4 - 40 x 1/4
5.	90709118	Screw, Phil Pan 4 - 40 x 5/16
6.	90709016	Screw, Phil Pan 6 - 19 x 3/8
7.	80040019T	Sensor Assy.
8.	99260240	Plate, Rear Motor Mount, Iris Style
9.	80580022	Heat Filter Assy.

Wheels & Logic Board



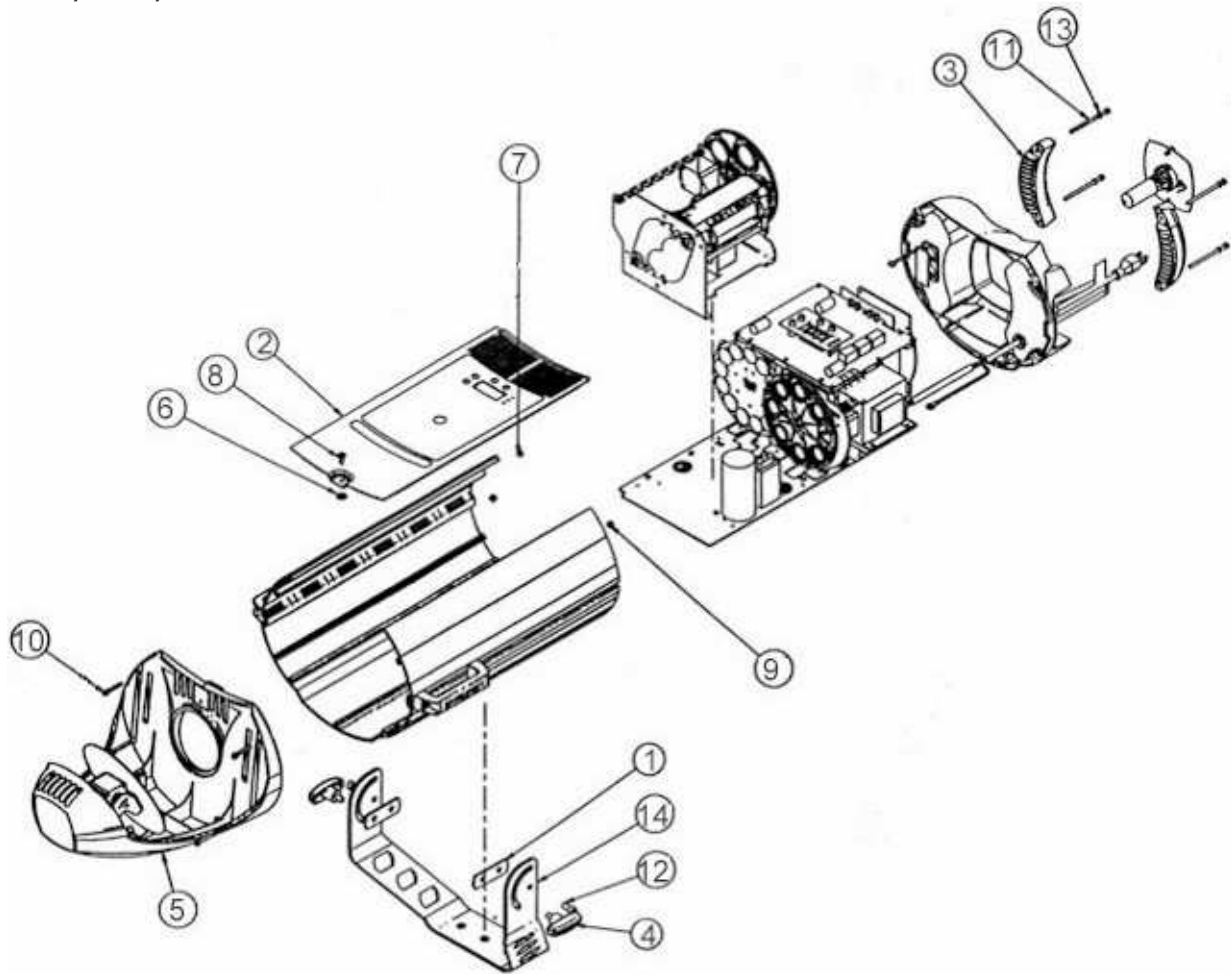
1.	90710011	Set Screw 6 - 32 x 1/4
2.	90410095	Cover, LED Button Support
3.	99430012	Gear, Litho Rotate Drive Small
4.	80430061	Motor Brake Assy.
5.	80010092	Logic Board Assy. Iris Version
6.	90709128	Screw, Phil Pan #8
7.	90709016	Screw, Phil Pan 6 - 19 x 3/8
8.	90709024	Screw, Phil Pan #8 x 1/4
9.	90709061	Screw, Phil Pan 6 - 32 x 1/2
10.	90701114	Safety Strap, Access Door
11.	90330007	Tie Wrap
12.	80190026	Color Wheel Assy.

13.	80200026	Litho Wheel With Lithos
14.	80040019T	Sensor

Additional Parts

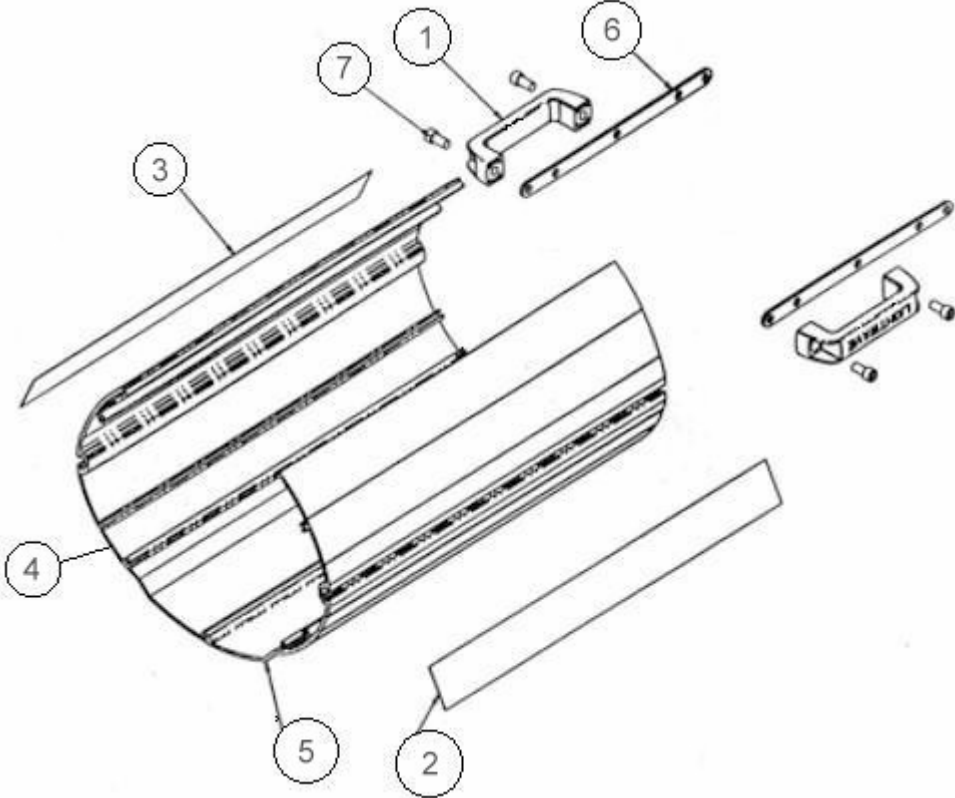
	99430006	Gear, Litho Large (attached to wheel)
	80010065T	Logic Board, Non-Iris Version

Yoke, Door, & Rear Handles



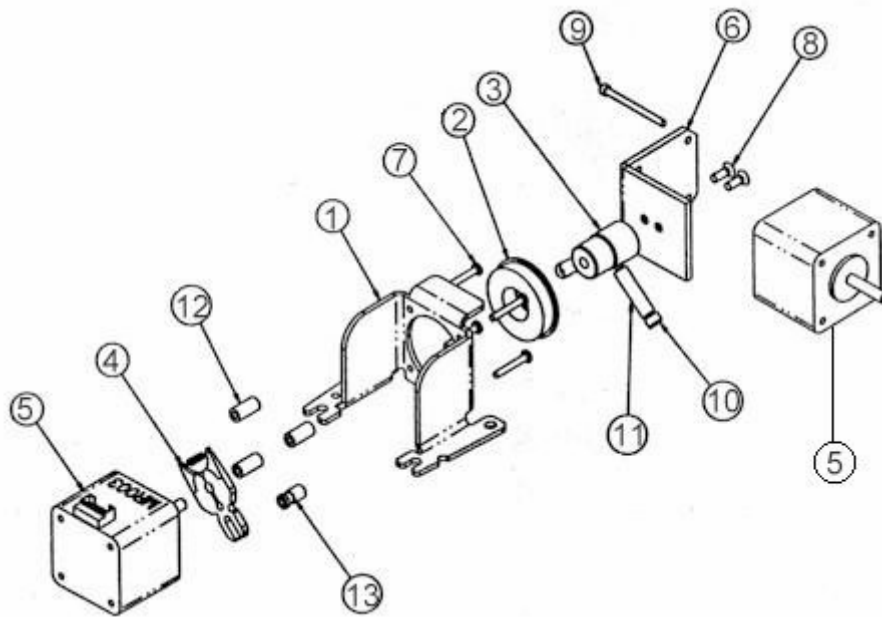
1.	99220012	Slide, Yoke (Plastic)
2.	80320011	Door Assy. With Hardware & Labels
3.	90724002	Rear Handle
4.	90705011	T-Handle
5.	80170017	Mirror Head Assy.
6.	90701098	Washer, Retainer Nylon
7.	90709016	Screw, Phil Pan 6 - 19 x 3/8 (Door Safety Strap)
8.	90712002	Screw, Captive
9.	90711026	Screw, Phil Hex 6 - 32 x 3/16
10.	90707076	Socket Cap 10 - 32 x 1 1/4
11.	90707074	Socket Cap 10 - 32 x 3
12.	90707028	Socket Cap 5/16 - 24 x 5/8
13.	90706078	Washer #10
14.	80071113	Yoke

Side Housing/ Handles



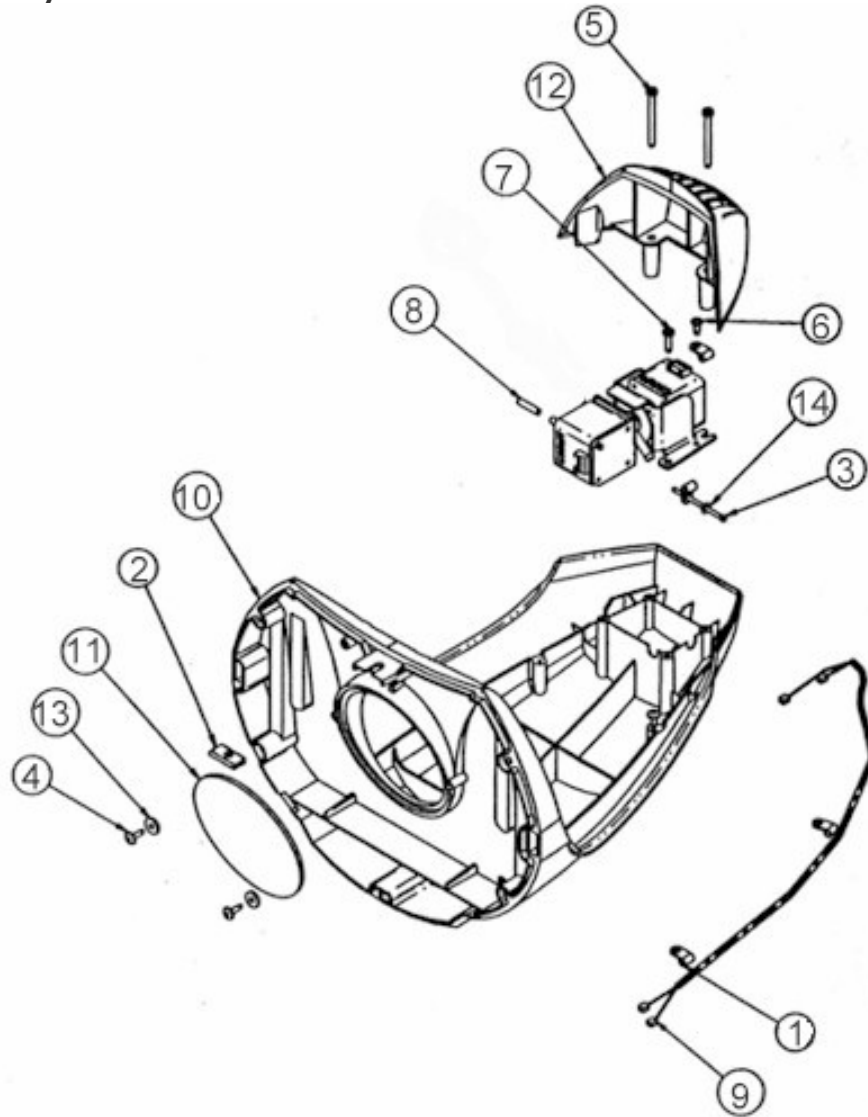
1.	90720005	Handle, Small W/Logo
2.	99310310	Label, Side
3.	99310310	Label, Side
4.	80071142	Side Panel, Female
5.	80071140	Side Panel, Male
6.	80071136	Slide Block, (metal) Yoke/ Handle
7.	90707028	Socket Cap 5/16 - 24 x 5/8 Alloy Nickel

Mirror Motors



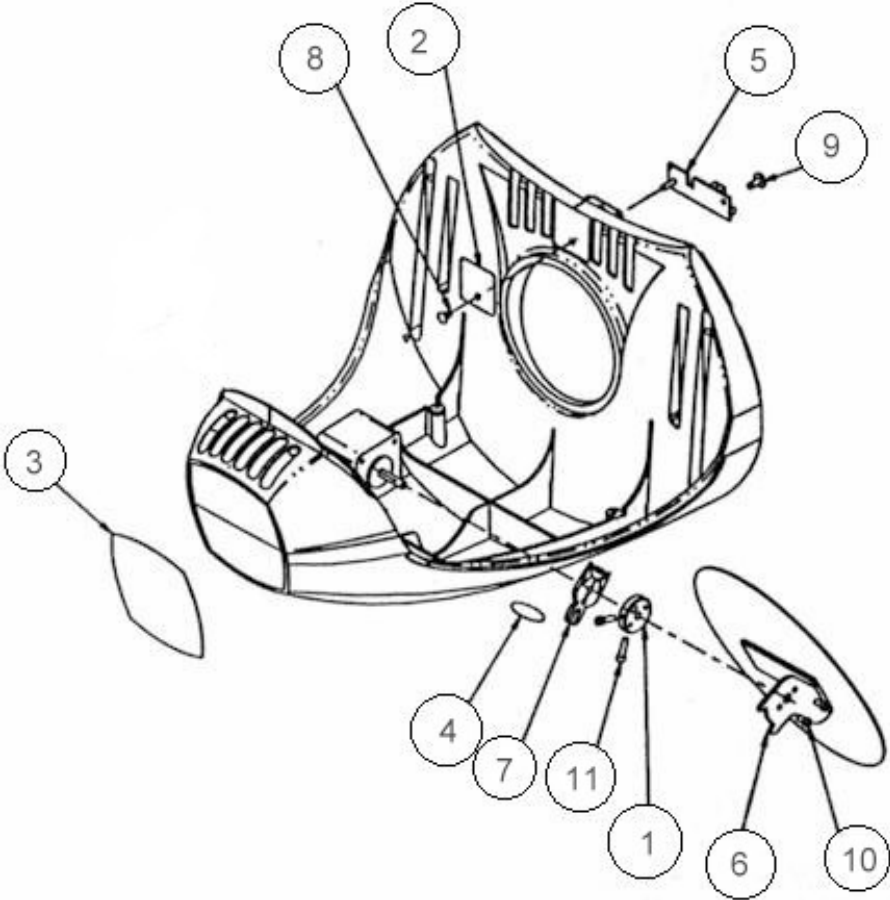
1.	80071124	Bracket, Mirror Motor
2.	90719019	Bushing, Pan Teflon
3.	99400017	Hub, Mirror Rotate
4.	80430061	Motor Brake Assy.
5.	99270071	Motor 3V
6.	80070262	Mount, Tilt Motor
7.	90709066	Screw, Phil Pan 4 - 40 x 3/4
8.	90711005	Screw, Phil Flat 6 - 32 x 3/8
9.	90707052	Socket Cap 4 - 40 x 1 3/8
10.	90707039	Socket Cap 8 - 32 x 1
11.	90702024	Spacer, Grey #8 x 3/4
12.	90702008	Spacer #4 x 1/4
13.	90702099	Standoff, 1/2" With Groove

Mirror Head Assy.



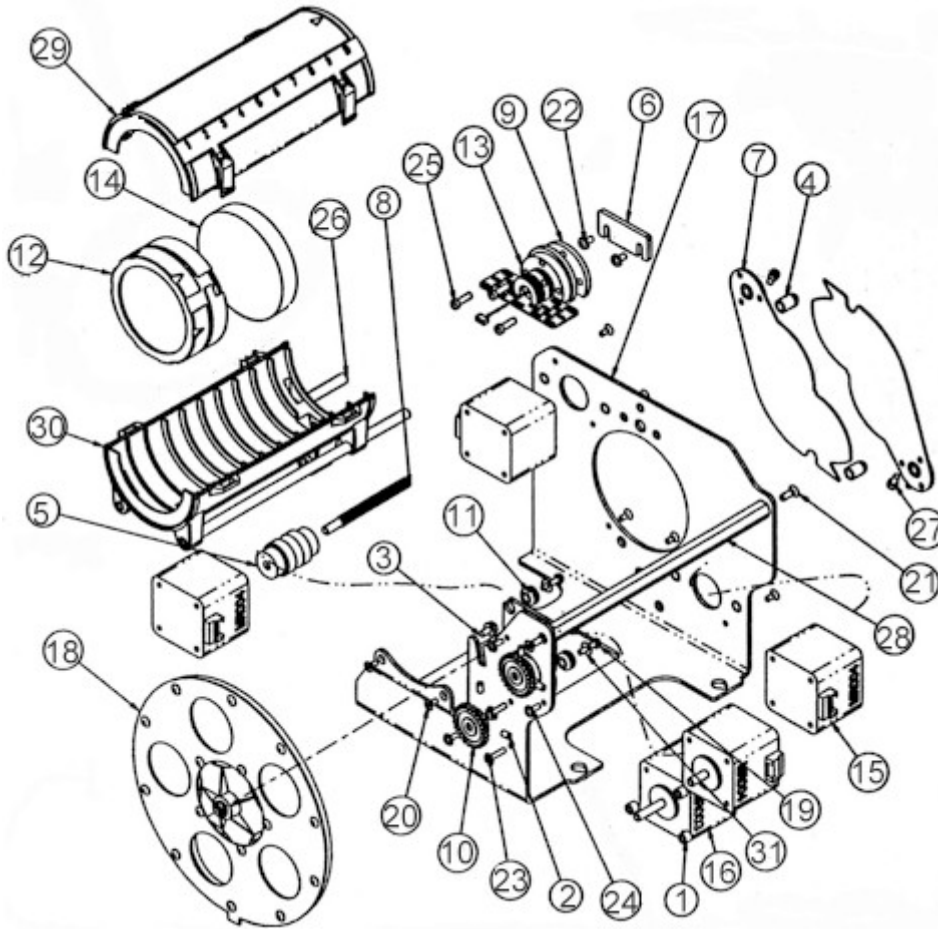
1.	90410023	Cable Clamp, Nylon 3/16
2.	90701099	Receptacle, Clip-on Narrow Flange
3.	90707009	Socket Cap, 4 - 40 x 2
4.	90709110	Screw, Phil Pan 6 - 19 x 1/2
5.	90709111	Screw, Phil Pan 8 - 16 x 1 7/8
6.	90709043	Screw, Phil Pan #8 x 3/8
7.	90709112	Screw, Phil Pan 8 - 16 x 5/8
8.	90702036	Standoff 4 - 40 x 3/4
9.	90409045	Wire Harness Mirror Head Extension
10.	80170019	Mirror Head Plastic Shell
11.	80420014	Window, A/R Glass
12.	80071458	Bezel Cap With Light Block
13.	90706037	Washer, Nylon
14.	90706032	Washer, Flat #4

Mirror Head Assy. B



1.	99400005	Hub, Mirror Mount
2.	99410055	Label, LAD
3.	99310255	Label, Mirror Head
4.	99310274	Label, Injection Mold
5.	80430060	LAD Assy.
6.	80180004	Mirror With Mount
7.	80430061	Motor Brake Assy.
8.	90724005	Plug, Snap-In Plastic
9.	90709016	Screw, Phil Pan #6 x 3/8
10.	90707045	Socket Cap 6 - 32 x 1/4
11.	90707030	Socket Cap 6 - 32 x 1/2

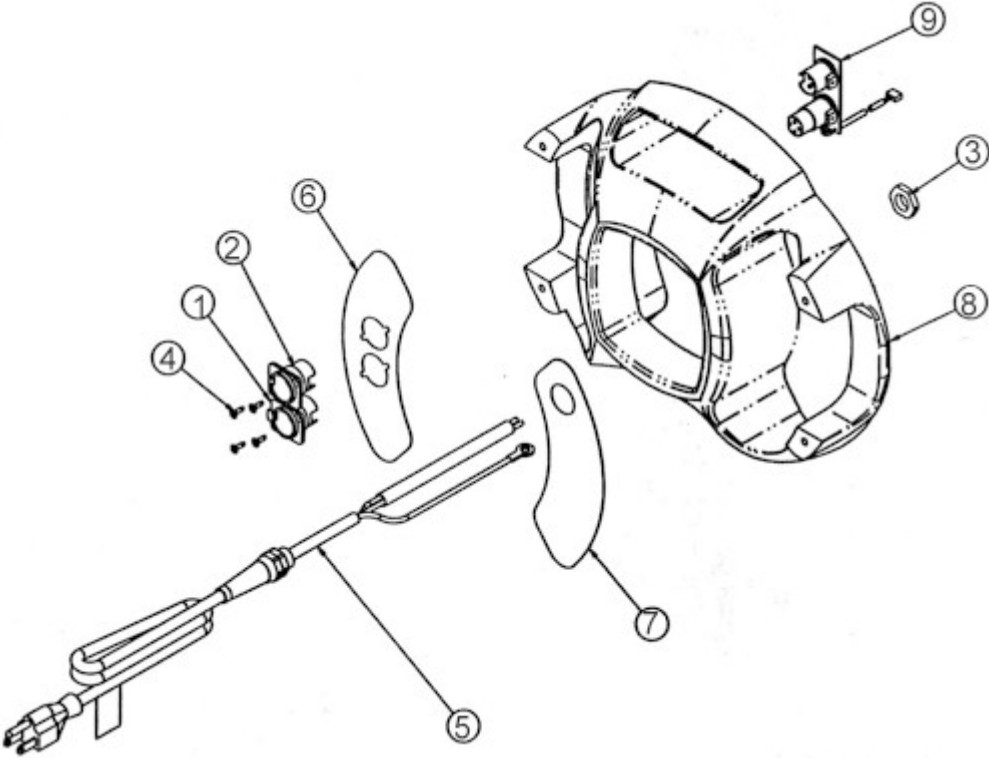
Focus/ FX/ Shutter Assy.



1.	90702035	Spacer 3/8 x 3/16
2.	90710011	Set Screw, 6 - 32 x 1/4
3.	90704034	Bolt, Hex 6 - 32 x 1/4
4.	90724007	Cap, Vinyl
5.	90701137	Coupler, Rubber
6.	99220011	Cover Plate, LAD
7.	80210012	Flag, Shutter Assy.
8.	90721005	Screw, Focus Drive
9.	90701123	Gasket, LAD Mount
10.	99430009	Gear, Effects Drive
11.	90410088	Grommet (focus motor mount)
12.	80160034	Lens, Rear Assy.
13.	80430060	LAD Assy.
14.	99090032	Lens, 13 Degree Front
15.	99270070	Motor, 2V
16.	99270071	Motor, 3V
17.	80071348	Mount, Optical Assy. (iris style)
18.	80190073	Wheel, Effects (no glass) With Retainer Springs
19.	90709119	Screw, Phil Pan 4 - 40 x 1/2 (focus motor mount)
20.	90711003	Screw, Phil Flat 4 - 40 x 1/4
21.	90711005	Screw, Phil Flat 6 - 32 x 3/8
22.	90709101	Screw, Phil Pan 6 - 32 x 1/4 With Star Washer
23.	90709119	Screw, Phil Pan 4 - 40 x 1/2
24.	90709118	Screw, Phil Pan 4 - 40 x 5/16

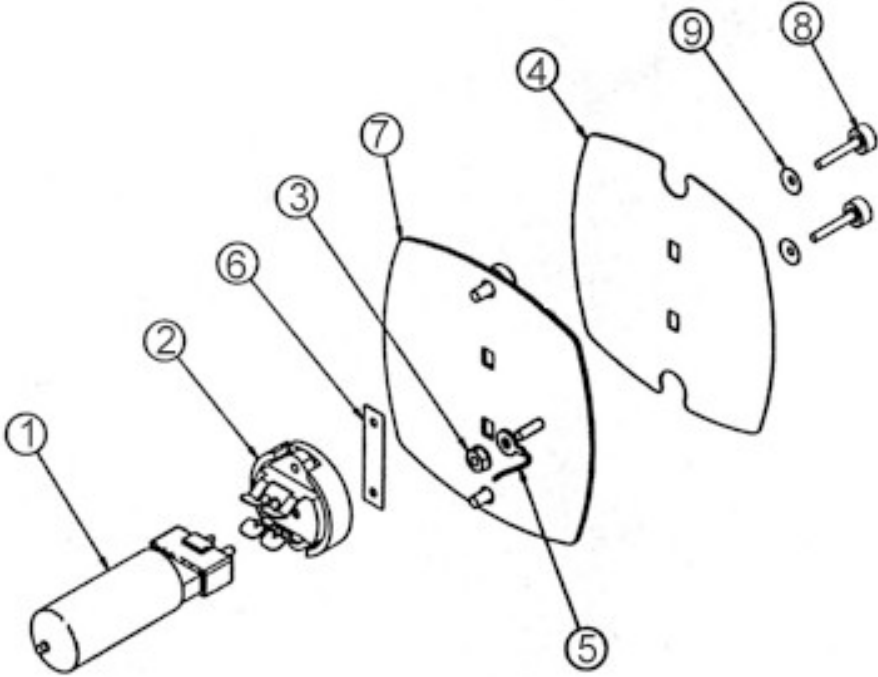
25.	90713005	Screw, Slot Nylon 6 - 32 x 7/16
26.	99260115	Shaft, Lens Tube
27.	90707045	Socket Cap 6 - 32 x 1/4
28.	90702111	Standoff, Hex 7.135"
29.	99260113	Lens Tube top
30.	99260114	Lens Tube Bottom
31.	90706032	Washer, Flat #4 (focus motor mount)

Rear Bezel Assy.



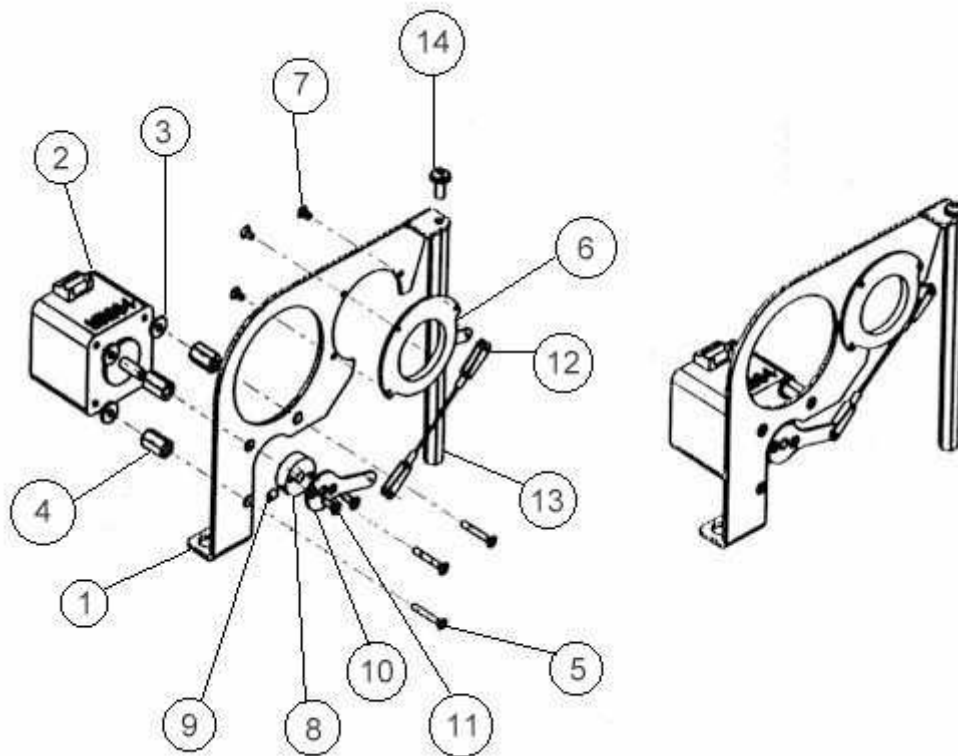
1.	90404001	Housing, Female XLR
2.	90404002	Housing, Male XLR
3.	90703050	Nut, Strain Relief (power cord)
4.	90711007	Screw, Phil Flat #4 x 3/8
5.	80470158	AC Line Cord Assy.
6.	99310265	Label, Rear Bezel Left Side
7.	99310264	Label, Rear Bezel Right Side
8.	99350027	Rear Bezel
9.	80010081	Board, XLR

Lamp Socket Assy.



1.	55030051	Lamp, MSD250
2.	99150019	Socket, Lamp
3.	90703005	Keps Nut 6 - 32
4.	99310273	Label, Lamp Plate
5.	80470164T	Wire, Ground Lamp Plate
6.	85000129	Plate, Lamp Socket Slide
7.	99080062	Plate, Adjustable Lamp Mount
8.	90705026	Thumbscrew, M3 x 20
9.	90706079	Washer, Belleville

Iris Assy.



1.	80071347	Mount, Iris
2.	99270070	Motor 2V
3.	90706092	Washer, Rubber
4.	90702139	Spacer, Hex 1/2"
5.	90711043	Screw, Phil Flat 4 - 40 x 7/8
6.	99290020	Iris
7.	90711041	Screw, Phil Flat 4 - 40 x 3/16
8.	85000041	Hub, Dim
9.	90707093	Set Screw, Socket 6 - 32 x 3/16
10.	99290022	Arm, Iris Actuator
11.	90711038	Screw, Phil Flat 4 - 40 x 5/16
12.	99290021	Clevis Assy. Iris Actuator
13.	90702137	Standoff, Hex 3/8" x 5"
14.	90709150	Screw, Phil Pan 8 - 32 x 7/16 With Washer